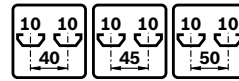
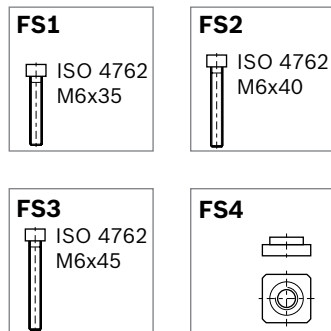
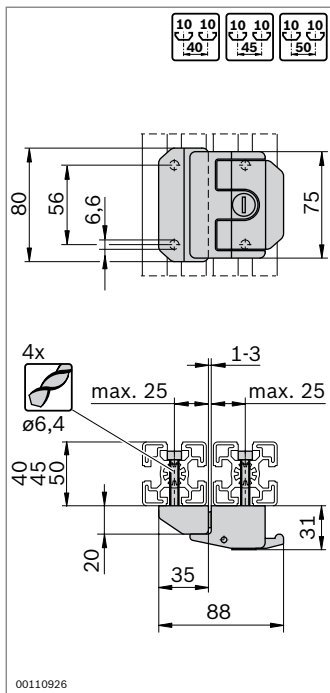


### Door lock for swing doors



- ▶ Opening to the right and left
- ▶ Self-locking mechanism in the closed position
- ▶ Smooth closing
- ▶ Ergonomically designed folding handle for opening
- ▶ “Standard locking” variant with random key selection (each lock has a different key)
- ▶ “Uniform locking” variant always has the same key
- ▶ Profile finishing: drilling of hole D6.4



Door lock	No.	FS
<b>Standard locking</b>	<b>3 842 530 353</b>	4xFS1, 4xFS2, 4xFS3, 4xFS4
<b>Uniform locking</b>	<b>3 842 530 352</b>	4xFS1, 4xFS2, 4xFS3, 4xFS4

Material: diecast zinc; black powder-coated  
 Fastening material: steel; galvanized  
 Scope of delivery: incl. 2 keys, fastening material (FS)